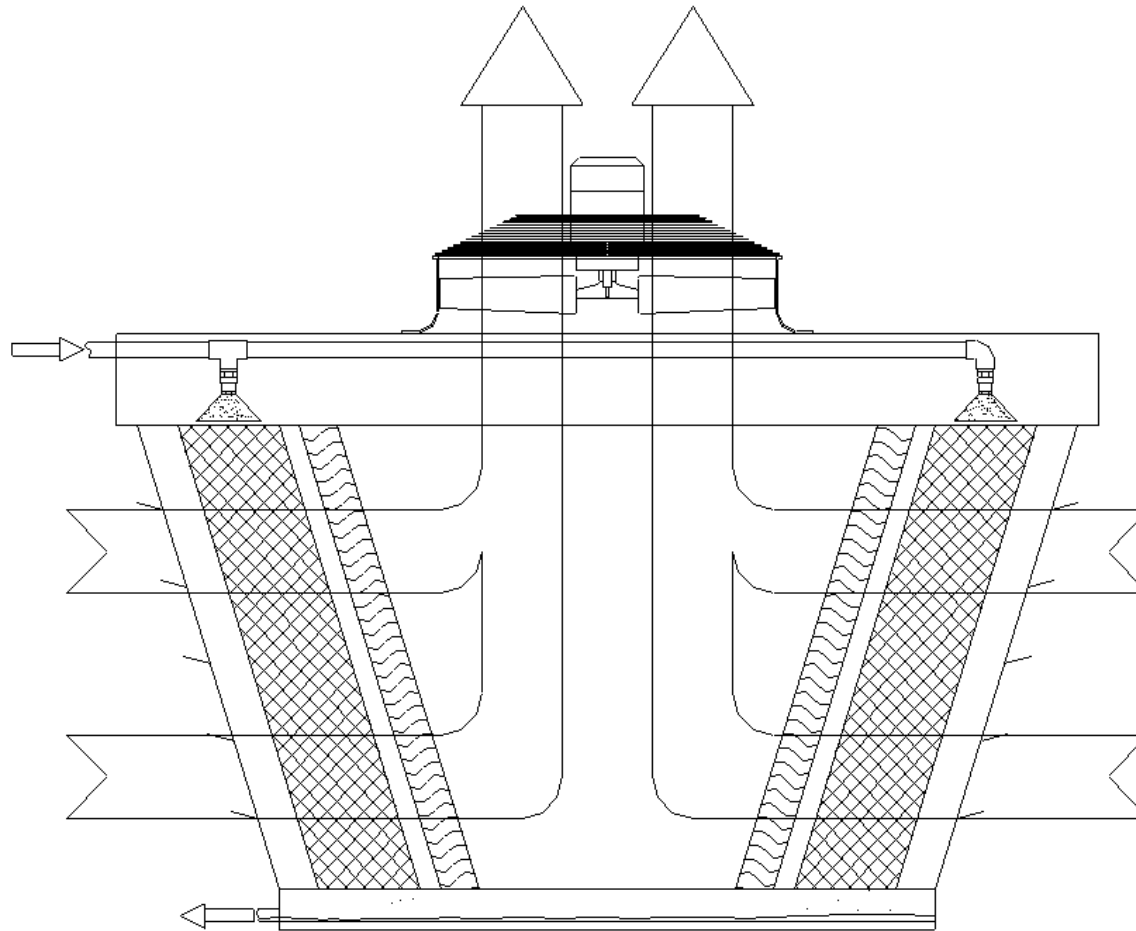


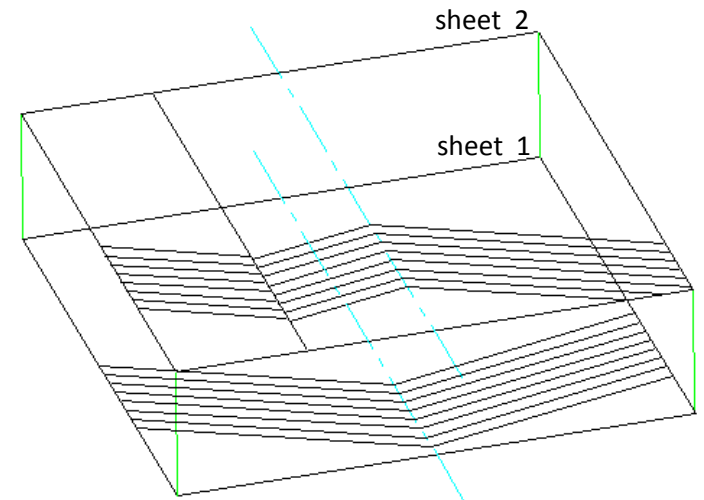
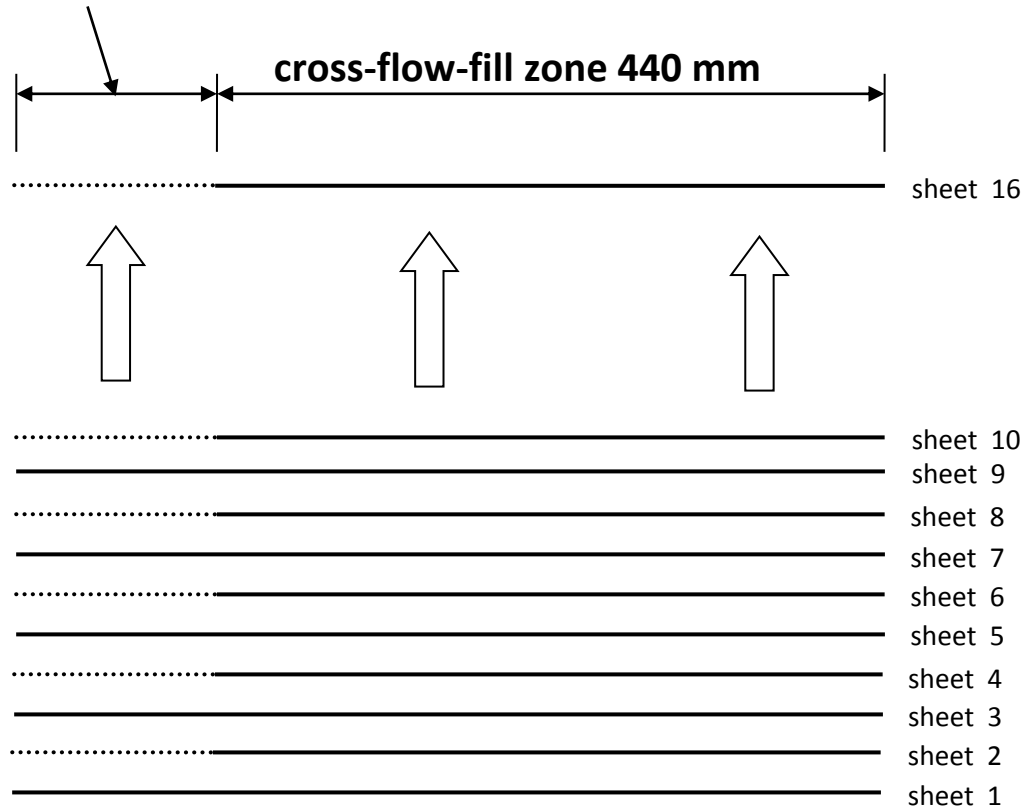
## Instruction for Hewitech cross-flow-fills



example for a cross-flow tower

# Instruction of Cross-flow Fill Type: Hewitech CSA 12/19

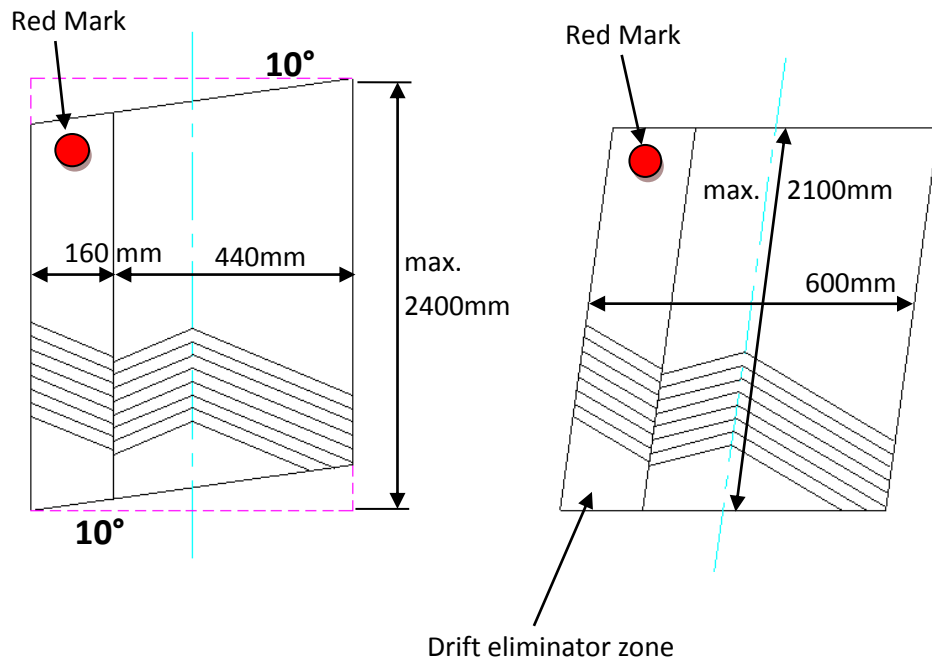
**Drift eliminator zone 160mm**



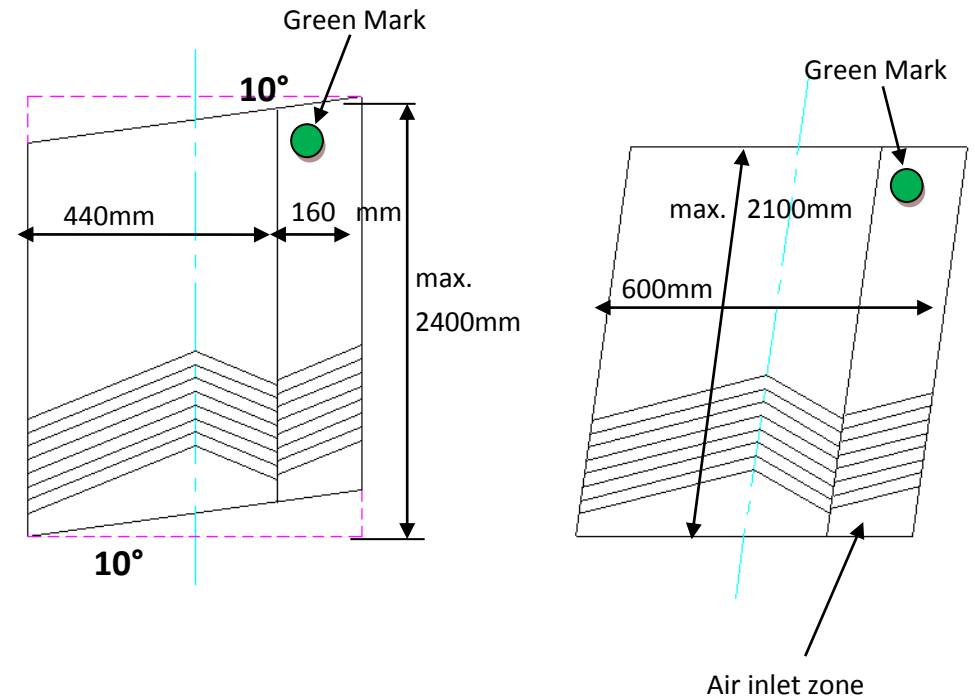
**Example of two cross-flow-sheets**  
sheet 1 = cross-flow-sheet CF12/ 19  
sheet 2 = 440 mm cross-flow-sheet  
160 mm drift eliminator

## Cutting of the cross-flow-fill:

### Type CSA 12/19

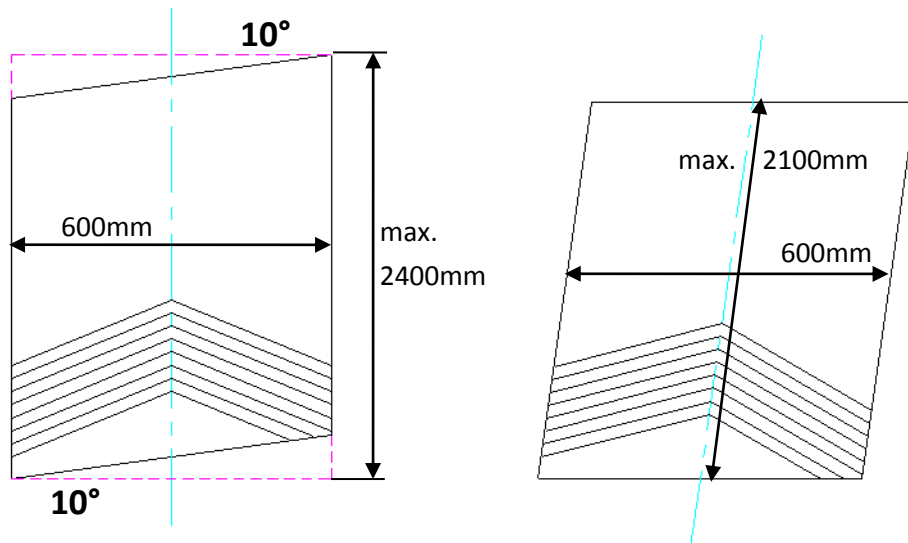


### Type CSB 12/19



## Cutting of the cross-flow-fill:

### Type CSN 12/19



The difference between CSA and CSB is that CSA has at the right site a drift eliminator and a red mark at the top. The CSB has on the left site an air inlet fill and at the top a green mark.